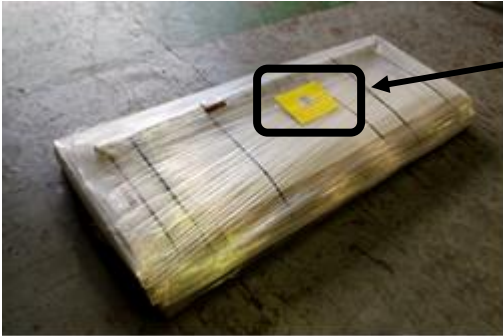


Installation Instructions

Esplanade 5000 and Esplanade 6000 Primary Barrier Matting

Data Sheet: Page 1 of 2 14.01.22

These instructions apply to Esplanade 5000 and Esplanade 6000.



Open the packaging carefully and look for the "Matting order confirmation form" (yellow envelope). Check the contents are complete as per the delivery note.

Each mat panel is labelled, as shown in the "Matting order confirmation form".

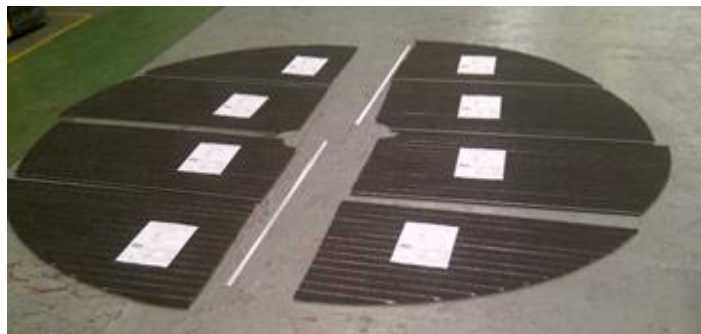
Locate the "T" shaped divider bars and any perimeter pvc edge trims.

Before commencing the mat installation, the matwell preparation should be completed with the subfloor flat, dry and free from contaminants. Also check the perimeter frame is level and suitable to install the gauge of entrance mat supplied.

Irregularities in the matwell substrate should be made good prior to mat installation to avoid premature wear or damage to the mat during use.

Check any door opening clearance is suitable to accept the entrance mat.

Check that each panel is clearly marked, and matches the details shown on the "Matting order confirmation form" before any installation commences. Where possible, prior to installation, lay the matting panels out in an adjacent clean, dry area to check the panels fit together correctly and match the plan supplied.



Mats produced to a drawing or template are supplied to a finished size, as requested, and indicated on the "Matting order confirmation form" and should require minimal site adjustment. The mats should then be laid so that the pedestrians walk across the mat ribs, the direction of traffic (DOT), and not along them.

Mats exceeding 2m wide may be supplied with divider bars. When provided for installation they must be placed between panel sections and along the direction of travel (DOT) prior to the fitting of the matting panels.

Highlighted on the "Matting order confirmation form" are the locations to fit divider bars. Divider bars should be installed to provide a 1mm clearance to ensure the matting panel can be cleanly dropped into position.

The divider bars are fitted into the prepared matwell base using either double sided tape or gunned adhesive. Ensure the top edges of the divider bars are flush with the top of the matwell frame.

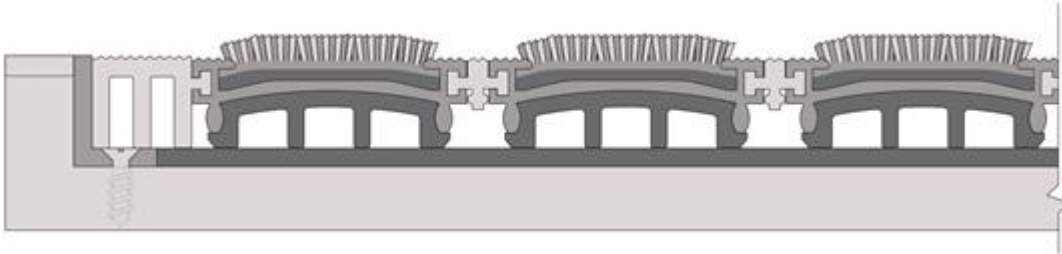
Check the front to back clearance in the direction of traffic (DOT) and where pvc edging strips are included (20mm or 40mm) ensure they are fitted along the front and back edges. Where necessary, these pvc edge strips can be cut using a Stanley knife to trim for minor fitting adjustments along the outer edge. The pvc edging strips have a "T" shaped connector that should slip into the aluminium channel edge of the matting panel which will lock this into position prior to any site trimming of the profile. These edging strips should be installed in conjunction with the first and last panels and any final trimming/adjustment can then be made to them when all the panels are in place.

Installation Instructions

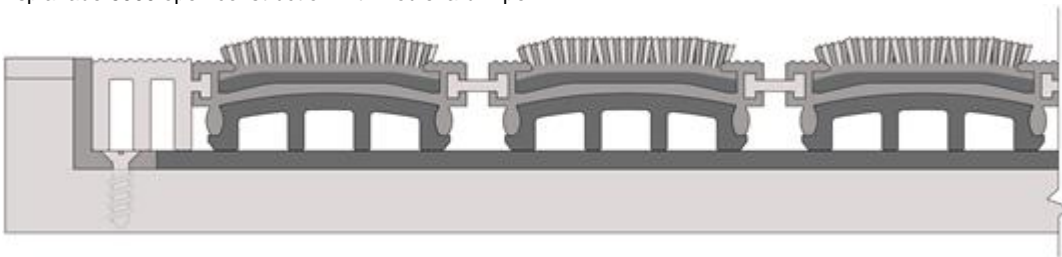
Esplanade 5000 and Esplanade 6000 Primary Barrier Matting

Data Sheet: Page 2 of 2 14.01.22

Esplanade 5000 closed construction with Boulevard wiper



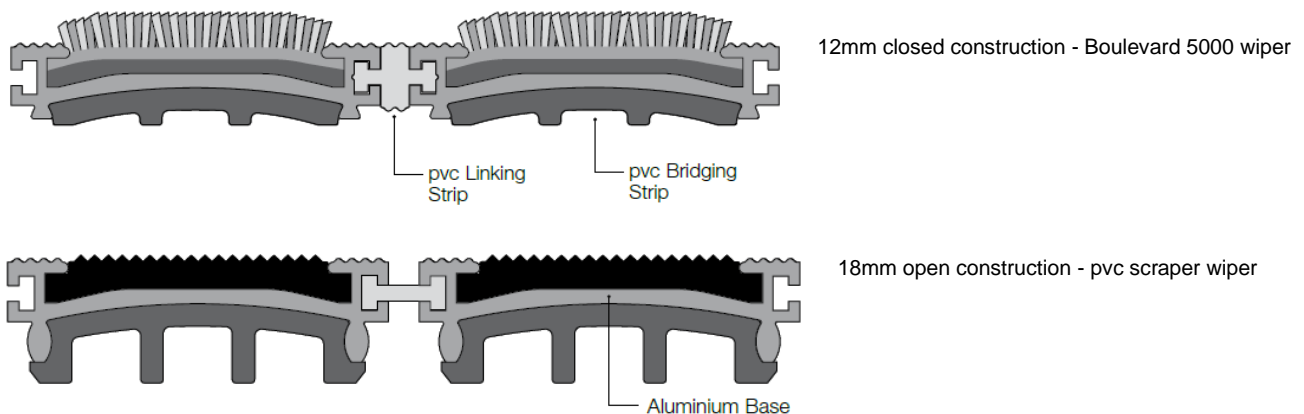
Esplanade 6000 open construction with Boulevard wiper



Commence installation with an unshaped mat panel wherever possible, being sure to follow the location indicated in the "Matting order confirmation form". Further panels should then be fitted, ensuring all panels are tight to the divider bars and with no gaps, except for a 1mm tolerance.

Leave the labels on each mat panel, until the installation is completed.

Each mat panel is connected with a pvc linking strip for both open and closed construction.



Push-in hinges are used when installing Esplanade 6000 & Esplanade 5000 in restricted areas and are supplied with each order.

Matting panels are connected together using a pvc linking strip. The closed end of the linking strip can be slid into the channel leaving the feathered end to push into the next matting panel. The finished mat should then be fitted slightly oversize in the Direction of Travel (DOT) to compensate for any movement in the flexible hinge joints. Final adjustments can then be made using the pvc Edge Trims.